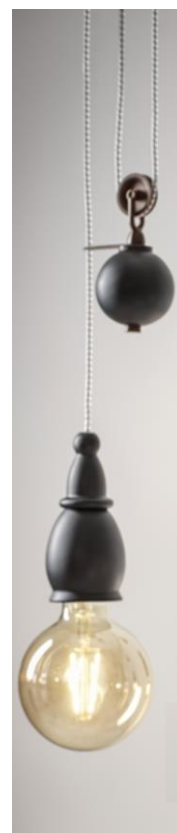


## *FATE* con contrappeso/*with counterweight*



*LF5/SALCER/MIX/...*

Saliscendi Linea FATE con portalampane e contrappeso entrambi in ceramica, carrucola in ottone anticato e con cavo pvc trasparente lunghezza 3 mt. Il saliscendi va abbinato obbligatoriamente al rosone laterale da ordinare a parte

*FATE height adjustable pendant with ceramic lamp holder and counterweight, antiqued brass pulley and 3 m long transparent PVC cable. The lamp must be combined with the side rosette to be ordered separately*



Aldo Bernardi s.r.l.

tel.

+39 0423 538783

Email

info@aldobernardi.it

Indirizzo / Address

via Vittorio Veneto, 7, Pieve del Grappa (TV)

## DATI TECNICI: / TECHNICAL DATA:

CE IP20

## SORGENTE LUMINOSA: / LIGHT SOURCE:

1x15W LED  
230V - 50Hz  
E27

LAMPADINA NON INCLUSA  
/ LIGHT BULB NOT INCLUDED



Sorgente luminosa sostituibile dall'utente finale  
/ Replaceable light source by an end-user

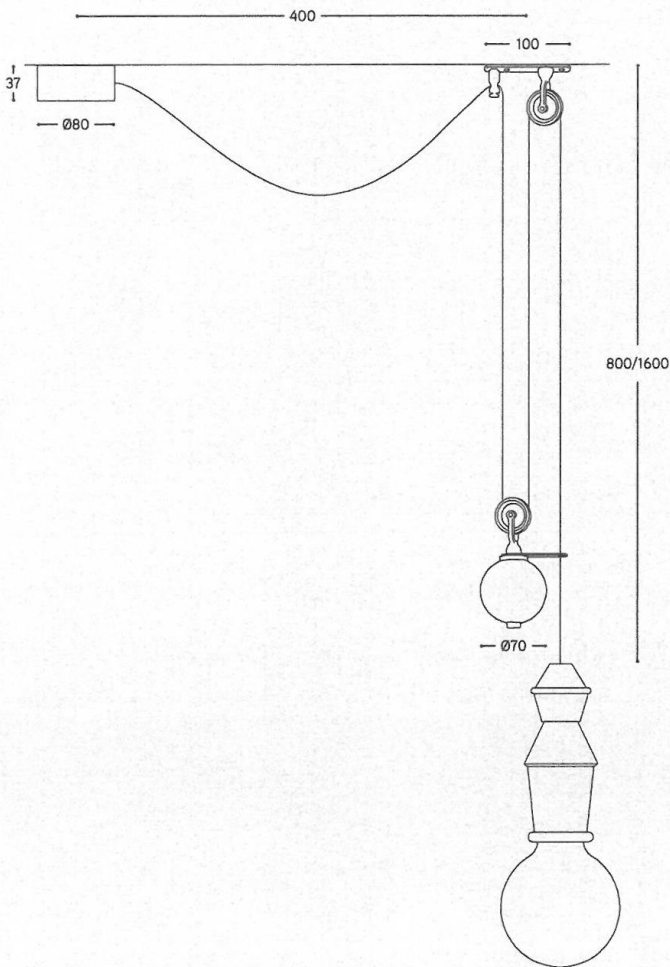
MATERIALE: Ceramica  
/ MATERIAL: Ceramic

VOLUME [M³]: 0,02

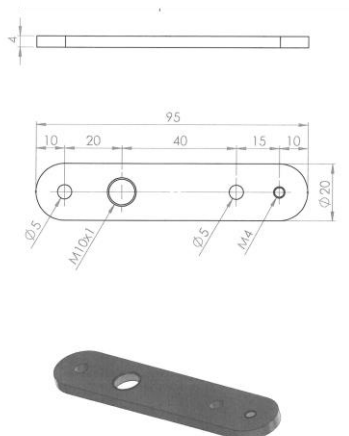
PESO LORDO [Kg]: 2,4  
/ GROSS WEIGHT [Kg]:

FINITURE:  
/ FINISHES:

BL: Bianco lucido / Glossy white  
BM: Bianco matt / Matte white  
NL: Nero lucido / Glossy black  
NM: Nero matt / Matte black  
MR: Metal rame / Copper metal  
PT: Platino / Platinum  
AU: Oro / Gold  
CU: Rame / Copper  
PTMATT: Platino matt / Matte platinum  
AUMATT: Oro matt / Matte gold  
CUMATT: Rame matt / Matte copper



## STAFFA CARRUCOLA/PULLEY BRACKET



## ROSONE LATERALE/LATERAL ROSE

### Art. LF/R1



- Ø80 -

### Art. LF/R180



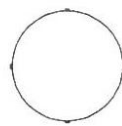
- Ø80 -

### Art. LF/R3



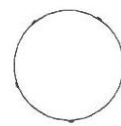
- Ø80 -

### Art. LF/R4



- Ø120 -

### Art. LF/R5



- Ø120 -

**LF/R1** rosone a 1 entrata laterale  
*rose with single lateral rose*

**LF/R2** rosone a 2 entrate laterali a 180°  
*rose with 2 180° lateral entrances*

**LF/R3** rosone a 3 entrate laterali  
*rose with 3 lateral entrances*

**LF/R4** rosone a 4 entrate laterali  
*rose with 4 lateral entrances*

**LF/R5** rosone a 5 entrate laterali  
*rose with 5 lateral entrances*