

## Lustri

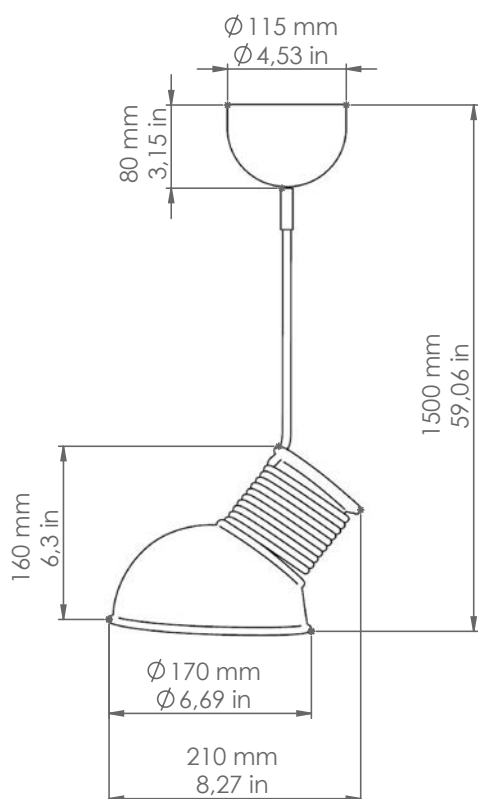
L10/... / ...



*Descrizione: / Description:*

*Sospensione in ceramica.*

*/ Ceramic pendant .*



## L10/... / ...

DATI TECNICI: / / TECHNICAL DATA:

**CE**  **IP20** 

SORGENTE LUMINOSA: / LIGHT SOURCE:

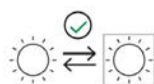
15W LED - sfera / ball bulbs

230V - 50Hz

E27

LAMPADINA NON INCLUSA

/ LIGHT BULB NOT INCLUDED



Sorgente luminosa sostituibile dall'utente finale  
/ Replaceable light source by an end-user

MATERIALE: **Ceramica**  
/ MATERIAL: **Ceramic**

VOLUME [M<sup>3</sup>]: **0,03**

PESO lordo [Kg]: **2,3**  
/ GROSS WEIGHT [Kg]:

### FINITURE: / FINISHES:

**BL** = Finitura BIANCO LUCIDO interna ed esterna / GLOSSY WHITE inside and outside finish

**BM** = Finitura BIANCO MATT interna ed esterna / MATTE WHITE inside and outside finish

**NL** = Finitura esterna NERO LUCIDO, interna BIANCO LUCIDO / GLOSSY BLACK outside finish, GLOSSY WHITE inside finish

**NM** = Finitura esterna NERO MATT, interna BIANCO LUCIDO / MATTE BLACK outside finish, GLOSSY WHITE outside finish

**MR** = Finitura esterna METAL RAME, interna BIANCO LUCIDO / COPPER METAL outside finish, GLOSSY WHITE inside finish

**PT** = Finitura esterna PLATINO, interna BIANCO LUCIDO / PLATINUM outside finish, GLOSSY WHITE inside finish

**AU** = Finitura esterna ORO, interna BIANCO LUCIDO / GOLD outside finish, GLOSSY WHITE inside finish

**CU** = Finitura esterna RAME, interna BIANCO LUCIDO / COPPER outside finish, GLOSSY WHITE inside finish

### Colori del cavo: / Cable colours:

**CAVOAZ** = Cavo azzurro / Blue cable

**CAVOROS** = Cavo rosso / Red cable

**CAVONE** = Cavo nero / Black cable

**CAVOGRI** = Cavo grigio / Grey cable

**CAVOBI** = Cavo bianco / White cable

**CAVOGIA** = Cavo giallo / Yellow cable